

July 10, 1951

H. H. RANNEY

Des. 163,900

SINGLE SPINDLE AUTOMATIC LATHE

Filed Sept. 22, 1949

2 Sheets-Sheet 1

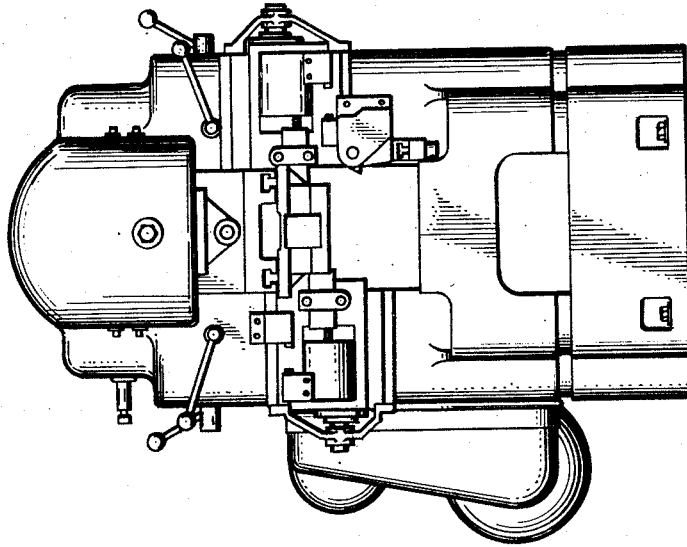


Fig. 2.

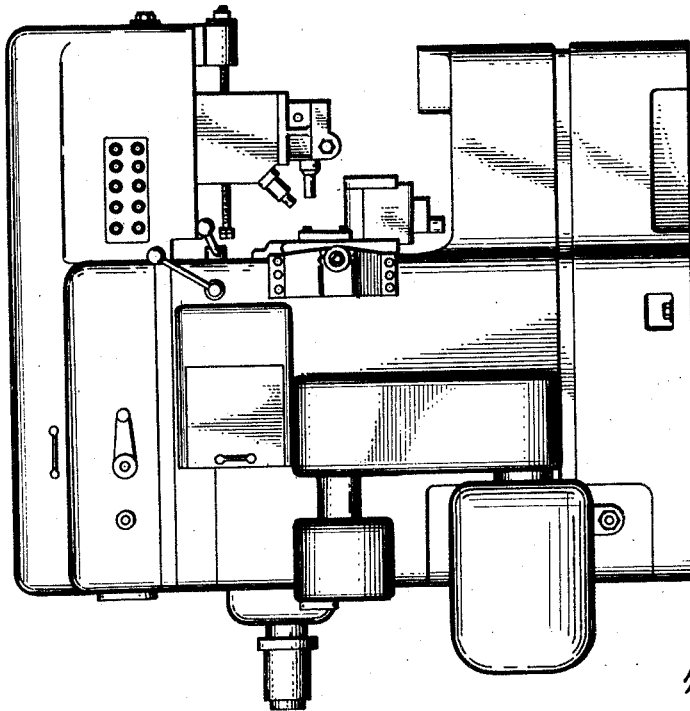


Fig. 1.

Inventor
Herbert H. Ranney
By
Wright Runyon & Company
Attys.

July 10, 1951

H. H. RANNEY

Des. 163,900

SINGLE SPINDLE AUTOMATIC LATHE

Filed Sept. 22, 1949

2 Sheets-Sheet 2

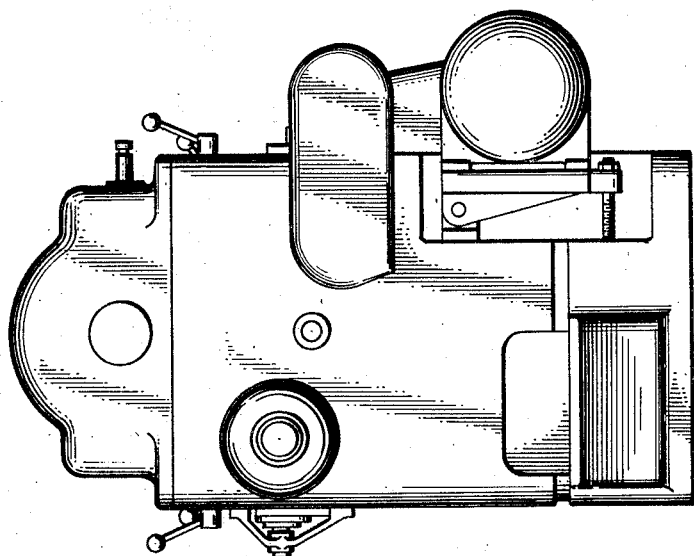


Fig. 4.

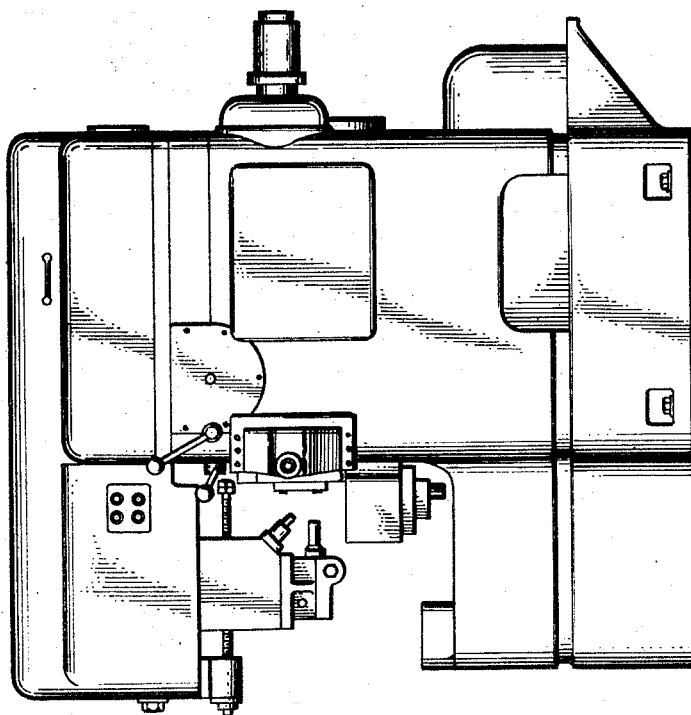


Fig. 3.

Inventor
Herbert H. Ranney
By *Wright Brown Quincy Alley*
Attys.

UNITED STATES PATENT OFFICE

163,900

SINGLE SPINDLE AUTOMATIC LATHE

Herbert H. Ranney, Windsor, Vt., assignor to Cone Automatic Machine Company, Inc., Windsor, Vt., a corporation of Vermont

Application September 22, 1949, Serial No. 5,139

Term of patent 14 years

(Cl. D54—6)

To all whom it may concern:

Be it known that I, Herbert H. Ranney, a citizen of the United States, residing at Windsor, in the county of Windsor, and State of Vermont, have invented a new, original, and ornamental Design for Single Spindle Automatic Lathe, of which the following is a specification, reference being had to the accompanying drawings, forming part thereof.

Figures 1, 2, 3 and 4 are front, right end, back and left end elevational views, respectively, of a single spindle automatic lathe showing my new design.

I claim:

The ornamental design for a single spindle automatic lathe, as shown.

HERBERT H. RANNEY.

REFERENCES CITED

The following references are of record in the file of this patent:

UNITED STATES PATENTS

Number	Name	Date
D. 132,992	Le Blond et al.	July 7, 1942